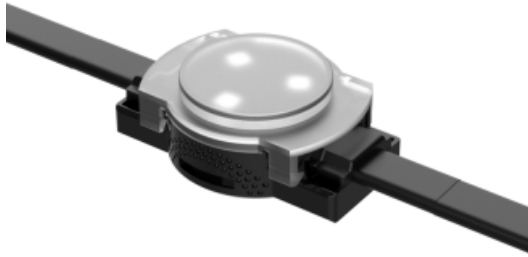


EXC-P33GP2 LED Pixel Light



Application Environment:
Indoor
Outdoor

Description

EXC-P33GP2 full color series are a full-color LED series string LED pixel, which are designed for outdoor landscape lighting by EXC-LED. Each EXC-P33GP2 pixel is a separate 8bit/16bit grades gray scale changing. They can be used for indoor and outdoor applications, Customized pixel pitch, and easy installation.

Features

- The newest generation technology: DMX512 parallel bus design
- Clip on-off style connection and anti-pull connection without connector design
- High thermal conductivity transformer and full-sealed filling waterproof method by German imported glue
- Outdoor lighting protection and electrostatic discharge (ESD) protection design
- Flexible design ensures mounting way

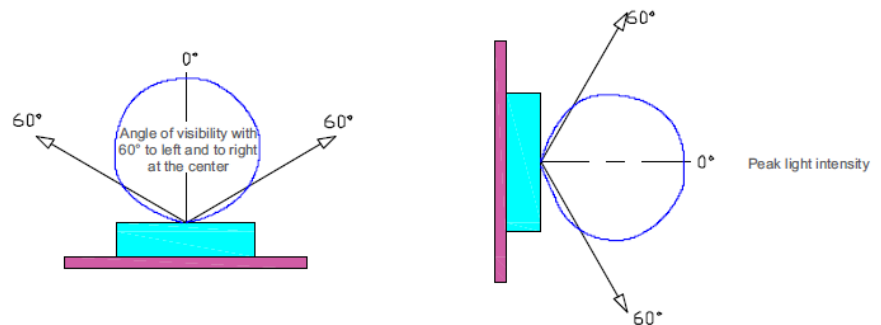
Basic Specifications

Color	W(2700K-6500K), RGB, RGB+W, etc...
Working Voltage	DC12V15V
Max. Power Consumption	0.9W/1W
Light Source	3 pcs SMD LEDs
CRI	80
Control	DMX512, ON/OFF
Grey Scale	8bit, 16bit
Source Life	50,000h
RDM	Optional
LED chip Brand	Optional(Cree, OSRAM, Lumileds, Epistar, etc...)
Cover	PC(Transparent, Opal, Crystal)
Housing	PC+ABS
Weight	24g

Dimensions	48.5mm x 22.5mm x 17mm (L x W x H, exclude Mounting Bracket)
Installation	Installation with front-loading buckle+steel wire+profile
Working Temperature	-40°C to 60°C
Storage Temperature	-40°C to 70°C
Protection Rating	IP66
Luminous Flux	25LM/W(RGB), 50LM/W(White), 30LM/W(RGBW)
Central Light Intensity	≥7.5cd(RGB)
Beam Angle	≥95°

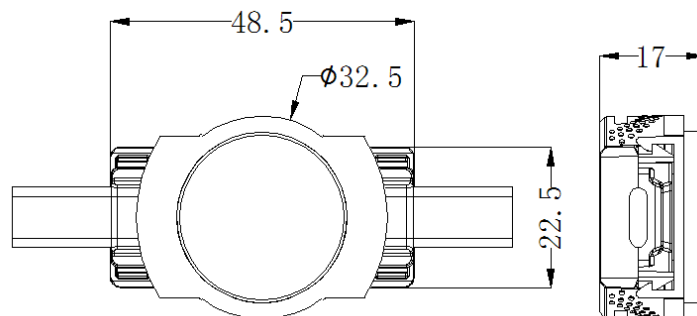
Light Intensity Distribution

Light Intensity Chart

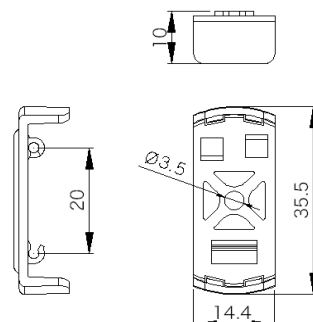


Physical Dimension

Unit: mm



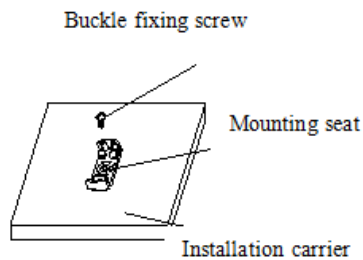
Mounting Accessories 1:



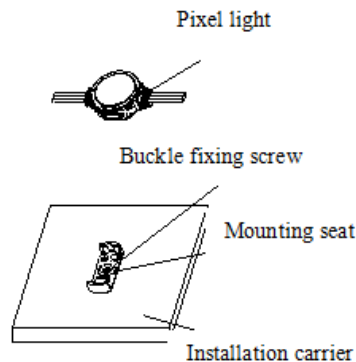
Installation Diagram

1. Mount by clip

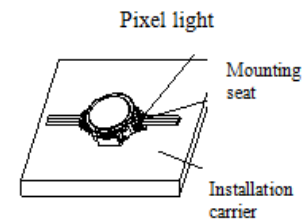
Step 1: Use the M3 screw to fix the mount to the required position. The specific spacing is as required by the order.



Step 2: After the installation is firmly fixed, the pixel light is stuck to the mount.

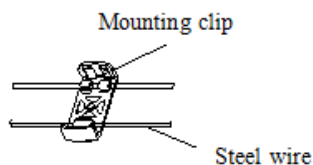


Step 3: Schematic diagram after installation

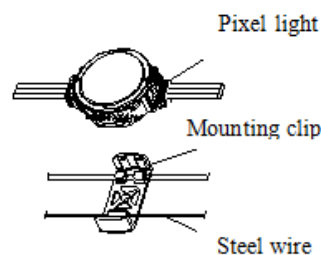


2. Mount by steel cable

Step 1: First pull the wire and then snap the mount onto the wire as shown



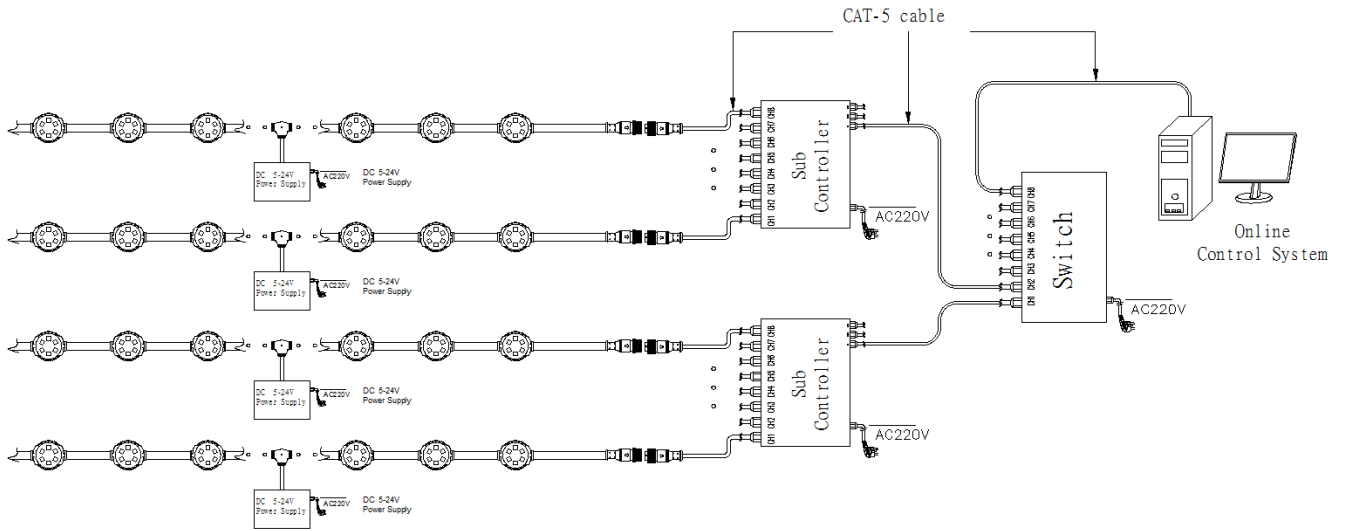
Step 2: Fasten the point light source to the mount as shown in the figure, and the spacing can be adjusted.



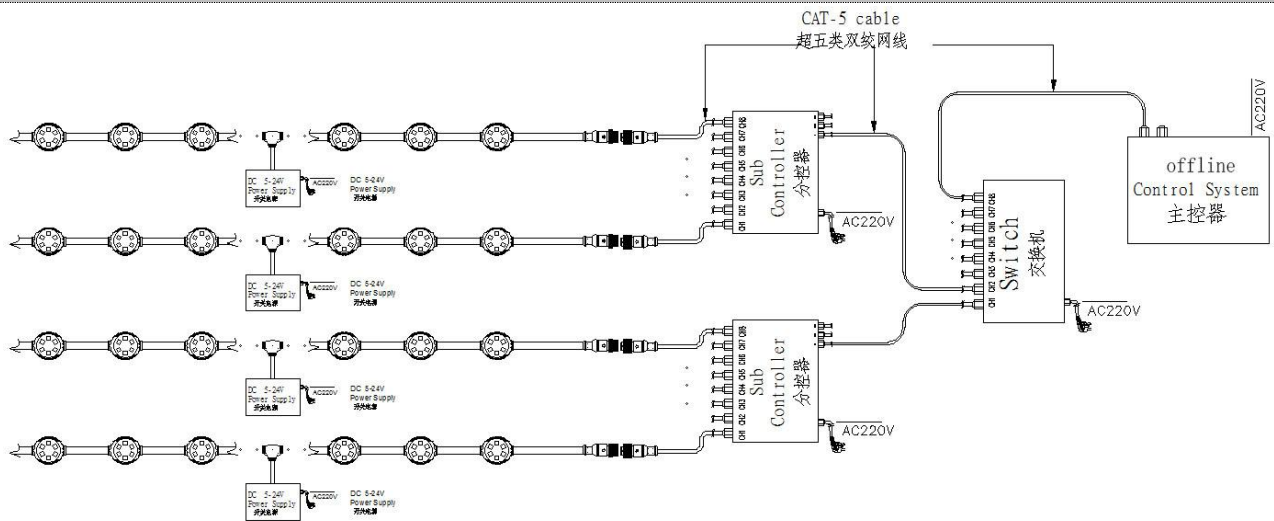
System connection diagram:

- 1、 Host controller should connect with slave controller. Working voltage for controllers are AC220V.
- 2、 On-line main controller should connect with slave controller, on-line main controller and sub controller working voltage are AC220V.
- 3、 each sub-controller with 8 ports, with each port 512 pixels, supporting data converter, supports 100 meters ultra-long haul transmission.
- 4、 The CAT-5 e. cable distance should be within 100 meters between host controller and slave controller, between slave controllers and switch, etc.

Online Controlling System Diagram



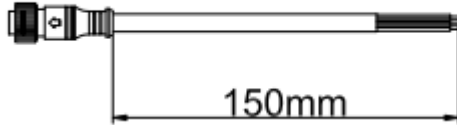
Offline Controlling System Diagram



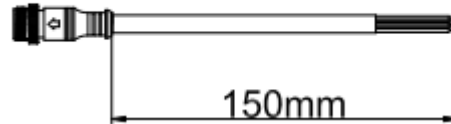
Accessories :

1: Female and Male Connector(Connect to first dot light for signal transmission)

Female Connector

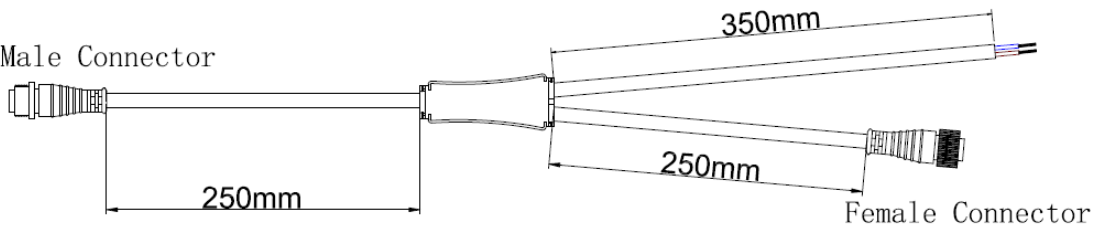


Male Connector



2: Y Shape Connector(For power Distribution)

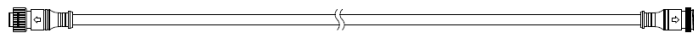
Male Connector



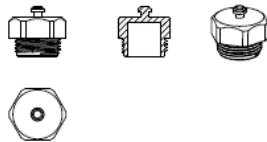
3: Interconnection Cable(1.3M,3M,5M is standard length)

Female Connector

Male Connector



4: End Cap



Male Connector



Male Connector